

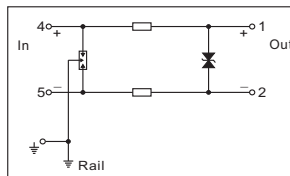
Features

- 7.6mm ultra-thin
- Small resistance, low impedance
- Grounded via ground terminal or DIN 35mm rail
- Suitable for valve positioner, flowmeter, transmitter, RS-232. etc.

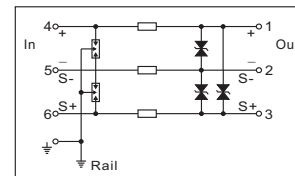
Technical Data

Nominal operating voltage U_n
Max. continuous operating voltage U_c
Nominal operating voltage I_L
Nominal discharge current $I_n(8/20\mu s)$
Max. discharge current $I_{max}(8/20\mu s)$
Total discharge current $I_{total}(8/20\mu s)$
Voltage protection level $U_p(8/20\mu s)$
Bandwidth(-0.5dB)
Response time
Resistance
Leakage current
Housing protection grade(accord with IEC60529)
Housing material / inflammability grade(UL94)
Testing standard

CZLB-24(B2)



CZLB-24(B3)



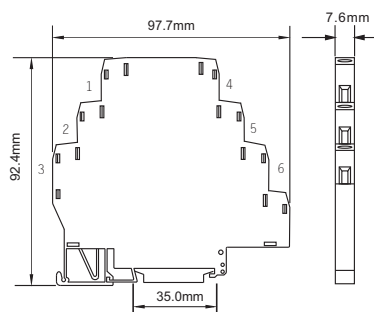
	2-wire	3-wire
Nominal operating voltage U_n	24V	24V
Max. continuous operating voltage U_c	32V	32V
Nominal operating voltage I_L	250mA	250mA
Nominal discharge current $I_n(8/20\mu s)$	5kA	5kA
Max. discharge current $I_{max}(8/20\mu s)$	10kA	10kA
Total discharge current $I_{total}(8/20\mu s)$	20kA	20kA
Voltage protection level $U_p(8/20\mu s)$	60V / 600V	60V / 600V
Bandwidth(-0.5dB)	10MHz	10MHz
Response time	1ns	1ns
Resistance	1Ω	1Ω
Leakage current	<1μA	<1μA
Housing protection grade(accord with IEC60529)	IP 20	IP 20
Housing material / inflammability grade(UL94)	PA66 / V0	PA66 / V0
Testing standard	GB/T 18802.21 / IEC 61643-21	GB/T 18802.21 / IEC 61643-21
Functional safety certification	SIL3	SIL3
Lighting protection performance test		Shanghai Lightning Protection Center

Certification

Functional safety certification

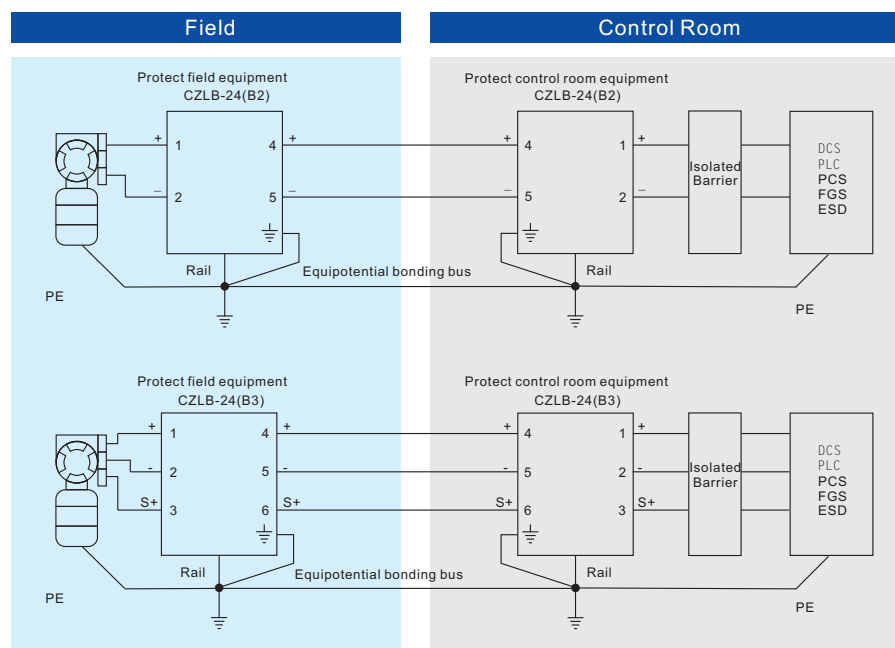
Lighting protection performance test

Dimensions



SIL3
IEC61508

Typical application



Shanghai Lightning Protection Center
Lighting protection performance test



China Quality Certification Center
CQC Identification